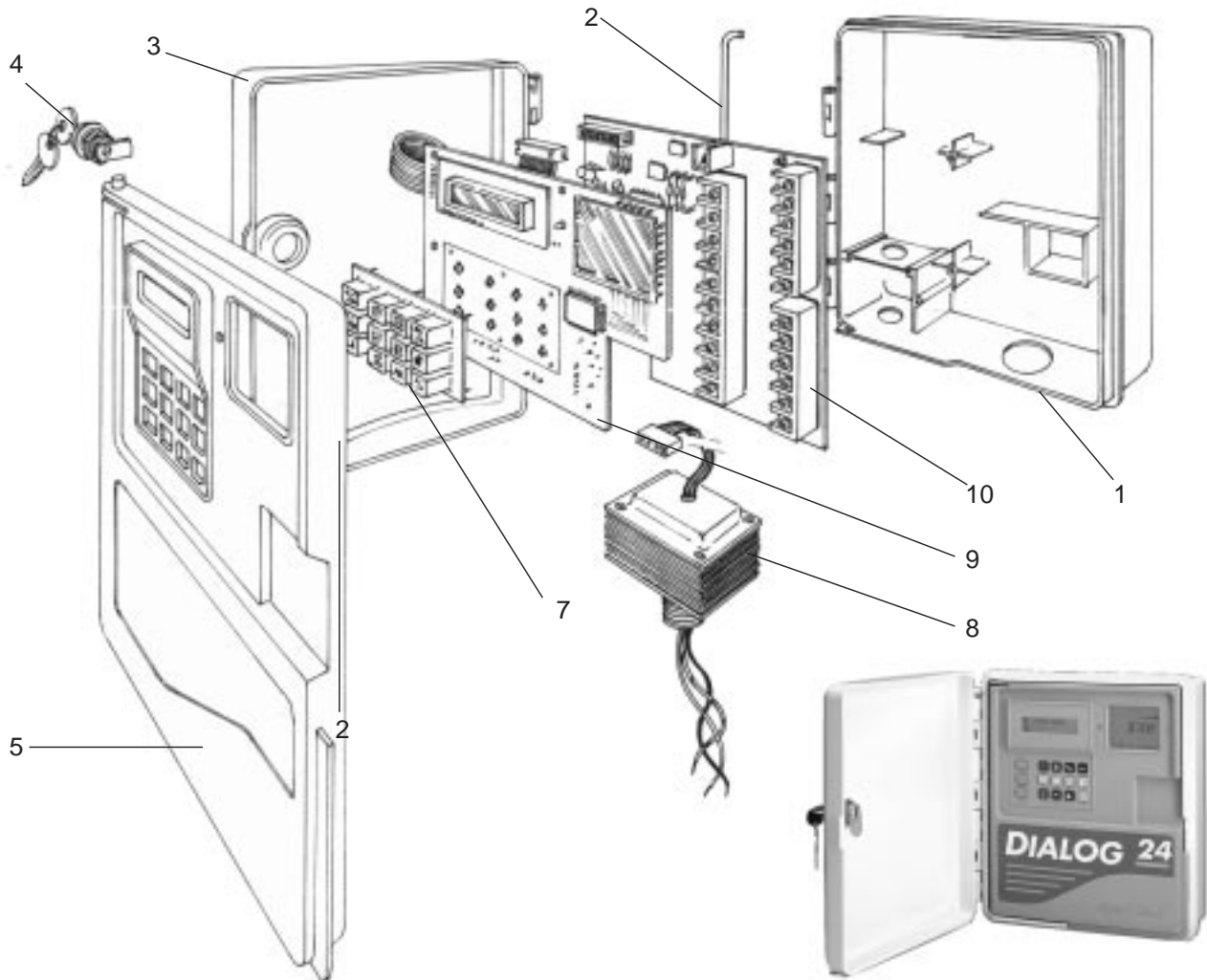


## ELECTRONIC CONTROLLER DIALOG SERIES DIALOG 12/16/24

Ref. No. : 796E

Date : 03/2000

Page : 1 of 1



Ref.	Part Description	Part Numbers		
		DIALOG 12	DIALOG 16	DIALOG 24
1	Cabinet	72-633144	72-633144	72-633144
2	Hinge Pin	—	—	—
3	Door	—	—	—
4	Lock/Key	—	—	—
5	Front Panel (less label)	71-P50266	71-P50266	71-P50266
7	Keypad	71-P50267	71-P50267	71-P50267
8	Transformer 50Hz	71-P50268	71-P50268	71-P50268
9	Control Panel/Display Assy	71-P50269	71-P50270	71-P50271
10	PWB Assembly	71-P50272	71-P50273	71-P50274